

Superb Built-In framing dimensions

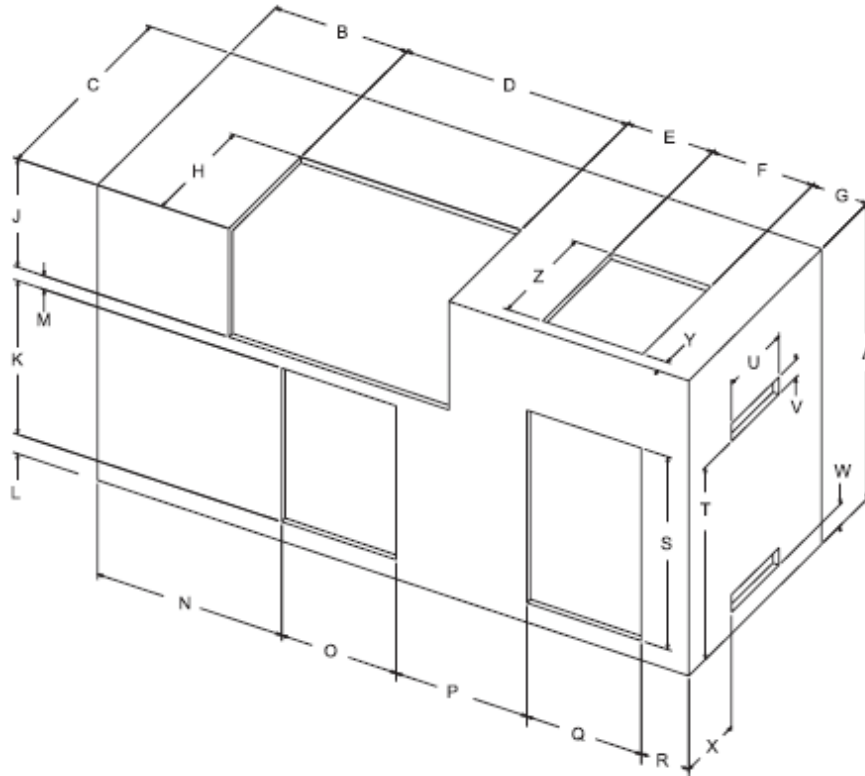
ENCLOSURE CONSTRUCTION GUIDELINES

Enclosure must be construction from non-combustible material.

If tile is used on the top surface of your enclosure, it may be necessary to enlarge openings at the top edges to allow the frame pieces of the SBB and BSA to mount flush against the enclosure.

Screws for enclosure mounting have not been supplied. Installer must measure for thickness and purchase and use appropriate hardware for installation. If the enclosure is constructed from masonry materials, it may be necessary to substitute appropriate screws and fasteners.

This diagram is only a basic plan for constructing an enclosure for your built-in kit. All construction and installation should comply with all local building codes and requirements. Drawing is not to scale.



MINIMUM REQUIREMENTS

Key Dimension in Inches

A	38" (Minimum)
B	16" (Minimum)
C	28" (Minimum)
D	27 7/8"
E	9 9/32"
F	12 3/16"
G	6" (Minimum)
H	22 1/2"
J	10 27/32"
K	19 13/16"
L	2 1/2"
M	5 1/32"
N	22 3/8" (Single) - 15 5/8" (Double)

Key Dimension in Inches

O	14" (Single) - 27 1/2" (Double)
P	15 7/16" (Single) - 8 11/16" (Double)
Q	13 15/16"
R	5" (Minimum)
S	24 13/16"
T	24 3/4"
U	10"
V	2 1/4"
W	2 3/4"
X	9"
Y	1 13/16"
Z	14 3/8"